



Little Benthic Vehicle

vLBV300 MiniROV Systems

The new SeaBotix vLBV300 is the ultimate small ROV with never-before-seen capability in the MiniROV class.

- 300 meter (1,000ft) depth rating and tether lengths to 2,000 meters (6,000ft)
- 6 Powerful Brushless DC thrusters with individual oil-compensators
- Variable vector horizontal thruster configuration and dual vertical thrusters
- Larger diameter, efficient propeller design for added Bollard thrust
- High resolution sensors and extensive mechanical design for increased stability
- Multiple camera options including HD, rear and side cameras
- Ultra small diameter high strength, durable, low drag tether
- Wide range of sensors and available options including sonar, tracking, cameras and more



Until now, there has never before been such a capable small ROV. True to SeaBotix' tradition of offering industry-leading and revolutionary designs in the MiniROV market, the vLBV is the world's first truly vectored MiniROV. The vLBV offers MiniROV size with big ROV performance. Adjustable variable vectored thrusters offer equal horizontal thrust in all directions, or extreme pulling power for long penetrations and high currents. High-resolution cameras and sensors combined with SeaBotix' industry-leading low drag tether make the vLBV the new standard in offshore capability and portability.





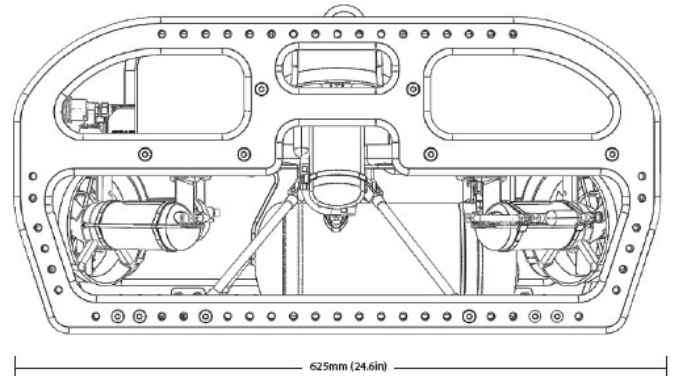
vLBV300 Specifications

General

Depth Rating: 300m (1,000ft)
Length: 625mm (24.6in)
Width: 390mm (15.4in)
Height: 390mm (15.4in)
Diagonal: 551mm (21.7in)
Weight in air: 18.1kg (39.9lbs)

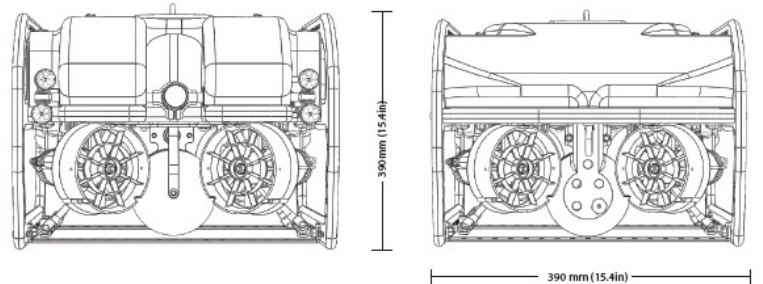
Thrusters/Performance

Configuration: 4 vectored, 2 vertical vertran
Vector Angle: Manually variable
 45°/35°, 35°, 18° or combination
Motor Type: Brushless DC direct drive
Prop Diameter: 100mm standard
Bollard Thrust: See chart below right
Speed: 3+ knots (nominal)



Cameras/Lighting

Camera: 600 line high resolution color
Range of View: 270 Degrees
Sensitivity: 0.001 lux @ f1.4
Format: NTSC or PAL
Lighting: 2,160 Lumen LED tracking camera



Control System

Configuration: Rugged case with weatherproof monitor and removable operator control unit
Monitor: Color LCD
Power Requirement: 3000 watts, 100-240VAC
Safety: Isolated input, circuit breaker, LIM, leak monitor
 Meets & exceeds AODC 035 "Code of Practice for the Safe use of Electricity in Water"
Auto Functions: Depth, heading, trim
Video Overlay: Depth, heading, lights, thruster gain, turns counter, camera angle, time, date and user programmable characters

vLBV300 Bollard Thrust	
	100mm Props
45°/35° Vector	
Forward	18.1kgf
Lateral	15.2kgf
35° Vector	
Forward	19.4kgf
Lateral	13.6kgf
18° Vector	
Forward	22.5kgf
Lateral	7.3kgf

Tether/Reel

Diameter: 8mm (0.3in) nominal
Length: 250m (820ft) standard
Working Load: 100kgf (220lbf)
Breaking Strength: 700kgf (1,543lbf)
Buoyancy: Neutral in fresh water
Reel: Heavy duty with slip ring

Options

Tether Lengths: 350-2,000m (1,182-6000ft)
Cameras: Low light B/W, zoom, rear facing, HD
Grabber: Three jaw, interlocking small, interlocking large, parallel and cutter
Sonar: Scanning sonar, multi-beam sonar, profiling sonar
Tracking: USBL positioning system
Console: Integrated Navigation and Control Console
Other: Additional lighting, thickness gauge, CP and more

